

Connection blocks for compact hydraulic power units C5 and C6

Type HC acc. to D 7900 or HCG acc. to D 7900 G

Type FP acc. to D 7310

Type MP acc. to D 7200, D 7200 H

Type LP acc. to D 7280, D 7280 H

Type HK acc. to D 7600-4, D 7600-3 and D 7600-2

for the connection of pressure and reflow lines by means of industrial standard pipe fittings

1. General information

The compact hydraulic power units acc. to the mentioned pamphlets form only basic units which still aren't ready for connection. The ready for connection state is achieved after direct mounting of the connection block. These are available in different versions. They enable either the connection of pressure and reflow pipes by means of common pipe fittings or the direct mounting of directional valve banks.

The connection blocks type C5 and C6 contain no additional functional element. They exclusively serve for the connection of pressure and reflow pipes leading to pressure limiting and directional valves located separately.

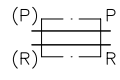
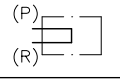
Additional connection blocks:	Type A	D 6905 A/1	With pressure limiting valve and additional functions e.g. idle circulation valve, return flow filter and the provision for direct mounting of directional valve banks
	Type AX	D 6905 TÜV	
	Type B	D 6905 B	For control of single acting consumers

2. Available versions, main data

Order example: HK 34/1 - H 4,3 - C 5

Basic type coding of the compact hydraulic power unit acc. to the corresponding pamphlet

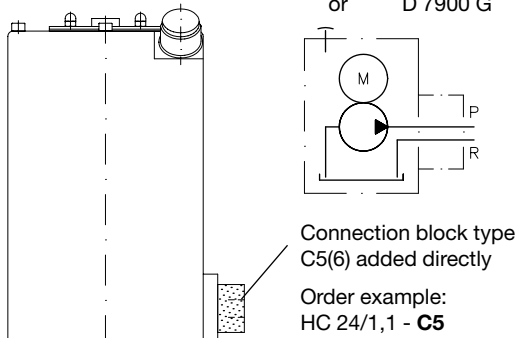
1) for straight pipe fittings with max. a/f 22, e.g. Parker-EO GE12-PLR or GE10-PSR

Coding	Ports P and R conf. DIN ISO 228/1 (BSPP)	Pressure range (bar)	Symbol	Note
C 5	G 1/4	to 700		direct pipe connection only
C 6 1)	G 3/8			
CK	Circulation plate			For use, see sect. 4
For indiv. orders:			plus 2 socket head screws ISO 4762 M 6x20-12.9 zinc plate	
	C 5 = 6905 701			
	C 6 = 6905 702			
	CK = 6905 703			

2.1 Single circuit pumps

Overview and order examples

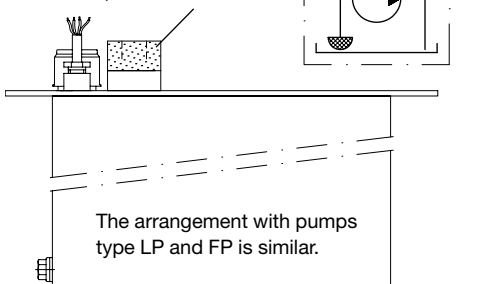
HC(G)-Hydraulic power units type acc. to D 7900 or D 7900 G



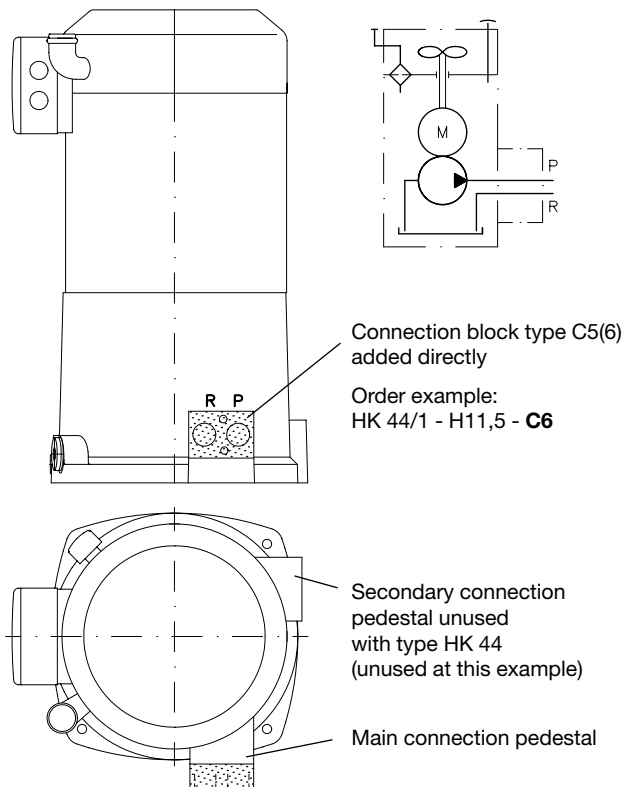
Hydraulic power units type MP acc. to D 7200 H

Connection block type C5(6) added directly

Order example: MP 34-Z12,3/B10 - C6



HK-Hydraulic power units type acc. to D 7600-4, D 7600-3, D 7600-2



HAWE
HYDRAULIK

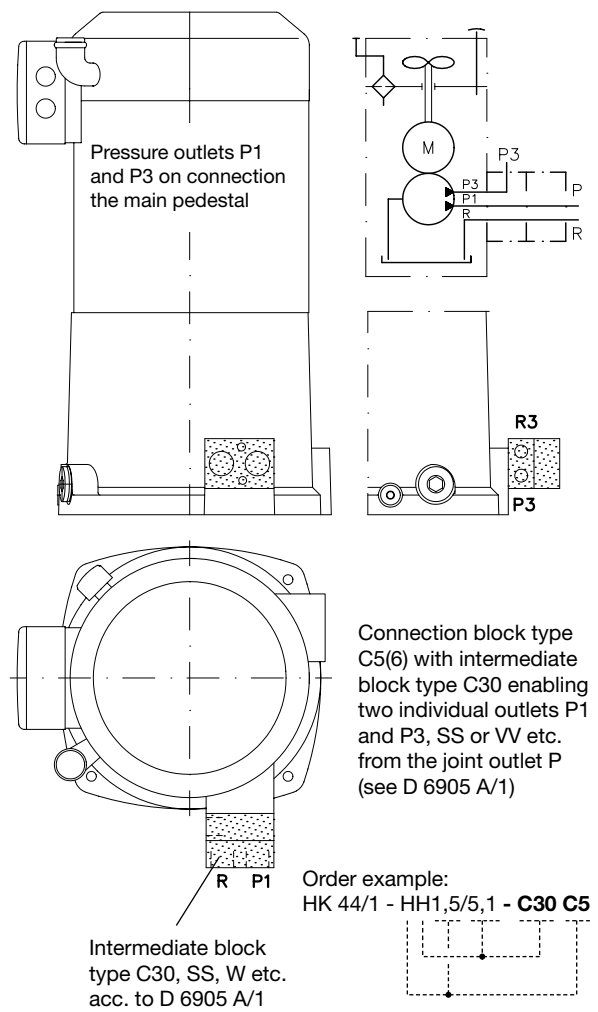
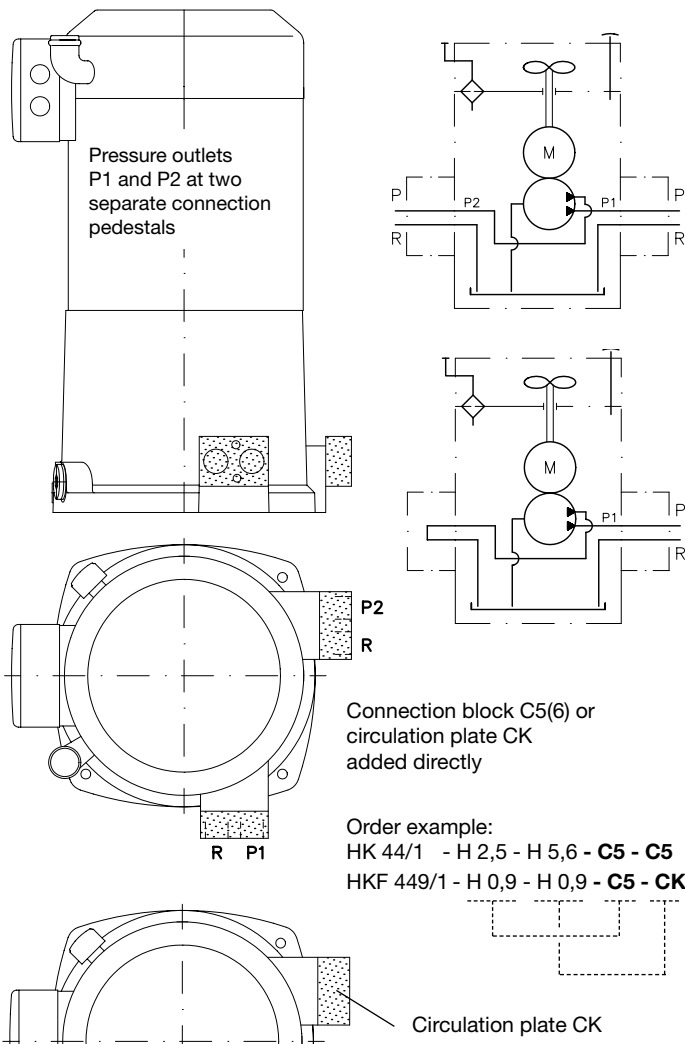
HAWE HYDRAULIK SE
STREITFELDSTR. 25 • 81673 MÜNCHEN

D 6905 C
Connection blocks C5(6)

2.2 Dual and triple circuit pumps type HK44 acc. to D 7600-4

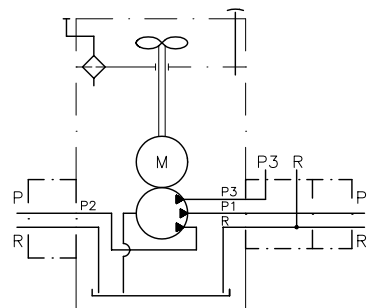
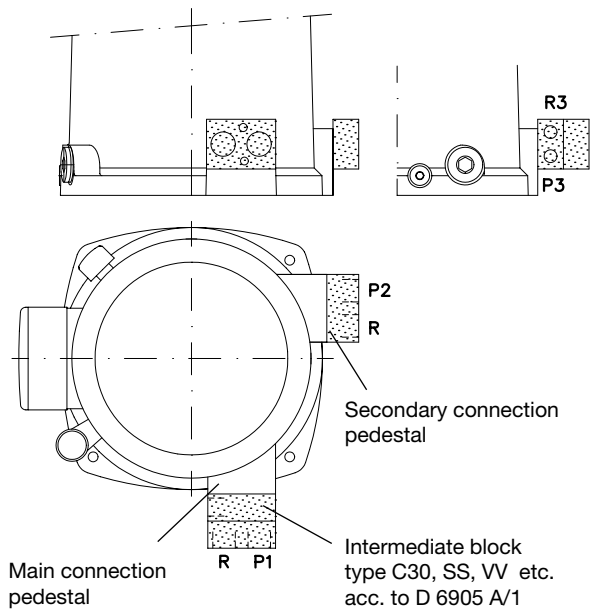
Overview and order examples

Dual circuit pumps acc. to D 7600-4 sect. 2.2.2



Triple circuit pumps acc. to D 7600-4 sect. 2.2.3

Pressure outlets P1 and P3 at the joint connection pedestal, pressure outlet P2 at the secondary connection pedestal



Main connection pedestal:

Connection block type C5(6)- with intermediate block type C30 enabling two individual outlets P1 and P3, SS or VV etc. from the joint outlet P. (see D 6905 A/1)

Secondary connection pedestal:

Connection block C5(6) or circulation plate type CK added directly

Order example:

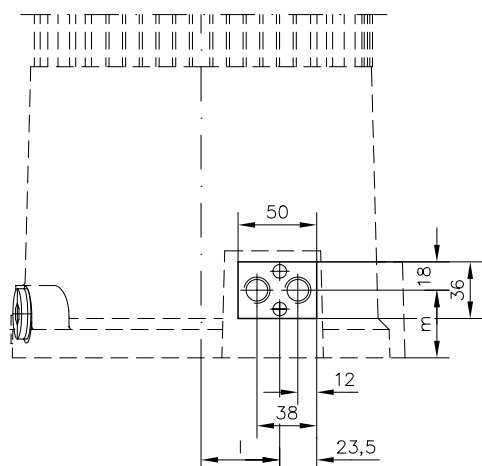
HK 44/1 - HH 3,8/0,6 - H 1,4 - C30 C5 - C5

HKF 439/1 - HH 4,4/4,4 - H 0,6 - VV C5 - CK

3. Unit dimensions

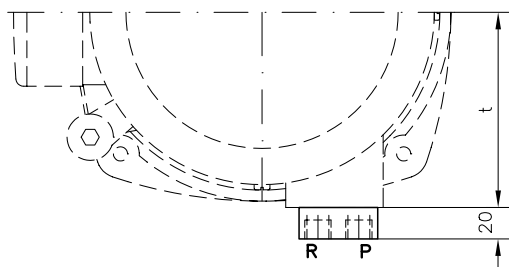
For missing pump dimensions, see the respective pamphlets.

Drawing illustrates situation with type HK44 acc. to D 7600-4



The mounting situation is rather similar with hydraulic power units type HC(G). Important are the distance dimensions of the connection pedestal, where the connection block C5(6) or the idle circulation plate CK are to be mounted.

	Pump acc. to D 7600-4			Pump acc. to D 7900(G)			
	HK 24	HK 34	HK 44	HC 1 HCG 11	HC 2	HC 3	HC 4
l	35	45	50	24	39	52	65
m	37	43	43	23	23	30	30
t	100	108	124	70	85	102	124



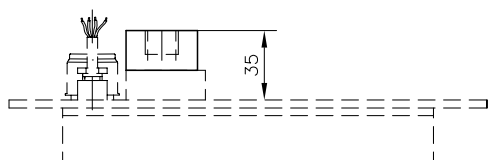
Ports acc. to DIN ISO 228/1(BSPP)
P and R: C 5 = G 1/4
C 6 = G 3/8

Circulation plate without any ports

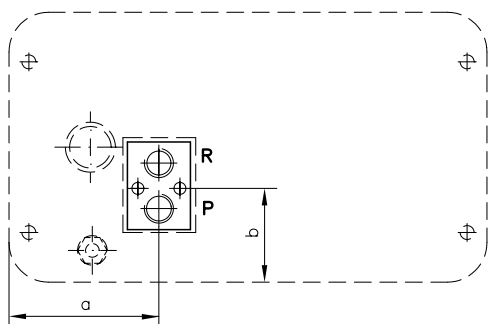
Mass (weight):
C 5, C 6, CK = approx. 0.2 kg

Situation for type MP acc. to D 7200 H

The arrangement with pumps type LP and FP is similar.



For missing dimensions, see above !



Tank size	a	b
B 3	77	50
B 5	92	50
B 10	95	50
B 25	105	50
B 55, B 110	135	115

All dimensions are in mm and are subject to change without notice!

4. Appendix

Notes regarding the use of circulation plate type CK

The use of this circulation plates type CK only makes sense at dual or triple circuit power packs type HK(F) 4... acc. to D 7600-4. It is mainly used, when "standardized" compact power packs are intended for use in machines with differing functional demands. Usually the second pump circuit is returned to the tank, when required.